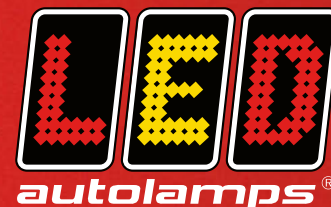


UPDATED RANGE

280 SERIES SQUARE REAR LAMPS



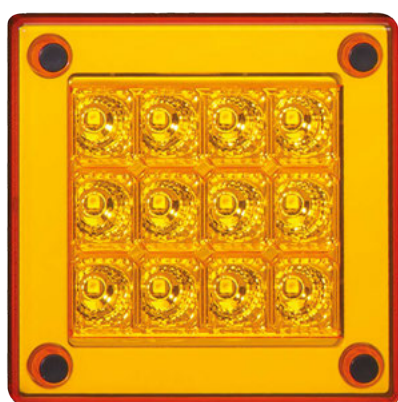
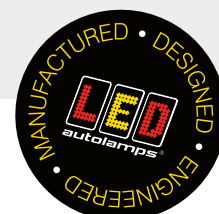
Voltage Range: 12/24V

Warranty: 5 Years

Ingress Protection: IP67

Approval: ECE, EMC

Introducing the new and updated 280 Series Square Rear Lamps range - now featuring the 280FM Fog Lamp. All units feature 12/24V versatility, full ECE approval and IP67 ingress protection.



NEW

- Tough acrylic lens
- Individually surface mounted
- Shock, water & dust proof
- Can be used as replacement lamp modules for 280 Series Triple Combination Lamps
- Exclusive LED Autolamps design

INDICATOR

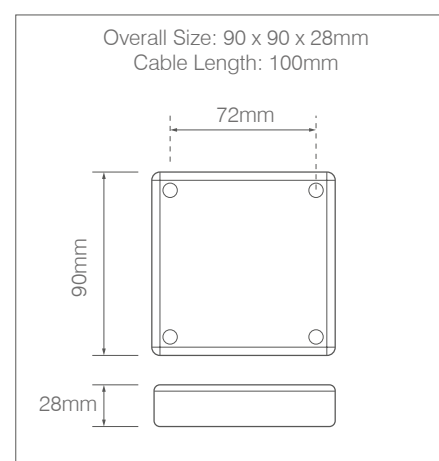
280AM

Current Draw (13.8V / 28V):
0.18A / 0.1A

FOG

280FM

Current Draw (13.8V / 28V):
0.22A / 0.07A



STOP / TAIL

280RM

Current Draw (13.8V / 28V): Stop:
0.18A / 0.11A, Tail: 0.02A / 0.03A

REVERSE

280WM

Current Draw (13.8V / 28V):
0.18A / 0.1A

